

INSTRUCTIONS FOR INSTALLING A SOUP-TO-DECAF CONVERSION KIT IN A NATIONAL VENDORS®, CROWN SEVENTY TWO® HBM-614 OR HBM-618 HOT BEVERAGE MERCHANDISER EQUIPPED TO VEND SOUP AND TEA

CHECK THE PARTS RECEIVED IN THE KIT WITH THE PARTS LIST IN THESE INSTRUCTIONS. FIGURE 1 SHOWS ALL THE PARTS IN THE KIT. IF ANY PARTS ARE MISSING, CONTACT NATIONAL VENDORS' PARTS DEPARTMENT IMMEDIATELY.

Read these instructions carefully and thoroughly before installing the kit. Retain these instructions for part number and installation information.

Soup-to-Decaf Conversion kit, part number 613-0126, contains the following parts:

Part Number	Description	Quantity
613-7170	Decaf Canister	1
613-7148	Decaf Dispenser Assembly	1
613-7171	Chocolate-to-Decaf Jumper	1
613-7172	Soup Dispenser-to-Chocolate Dispenser Jumper	1
618-7001	Decaf Bowl	1
618-7002	Decaf Bowl Vent	1
112-7057	Knurled Screw	2
610-7231	Vinyl Cap	2
613-7001	Elbow	1
613-2208	Tap Splice	1
613-7042	Closure Plate	1
613-7183	No.8-32 x 1/2 PHS Screw W/LW	4
613-8094	"Y" Connector	1
613-7168	Decaf Bowl-to-"Y" Tube	1
613-7167	Tea Bowl-to-"Y" Tube	1
613-7169	"Y"-to- Mixing Bowl Tube	1
618-7030	Decaf Bowl-to-Mixing Bowl Tube	1
613-8218	Water Valve-to-Decaf Bowl Tube	1
613-7164	Decaf Vent-to-Tea Vent Exhaust Hose	1
613-7166	Mixing Bowl Exhaust Hose	1
618-7032	Coffee Vent-to-Decaf Vent Exhaust Hose	1
613-0127	Installation Instructions	1
	* * *	

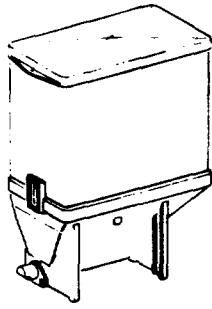
TO INSTALL THE KIT

1. Move the Main Switch to the OFF position.
2. Remove the Selection Assembly Cover from the inside of the Cabinet Door.

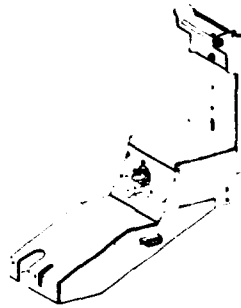
NOTE

On later production Merchandisers the Door Harness is enclosed in a plastic Wire Duct. In this case, remove the Wire Duct Cover for access to the wire bundle inside the duct.

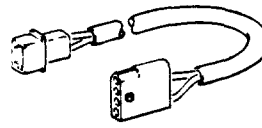
3. Pull the connector off the NO terminal of the No.6 (Chocolate) "A" Selection Switch (the switch mounted on the inside). The connector attaches two "Red-30" wires to the terminal.
4. The wire bundle contains an unconnected "Orange-43" wire ending in a spade terminal. Use the Tap Splice included in the kit, part number 613-2208, to splice this "Orange-43" wire to one of the "Red-30" wires disconnected from the switch in Step 3. See Figure 2 and make the splice as follows:
 - a. Cut the termination off the orange wire.
 - b. Place the red wire inside the channel that goes completely through the Tap Splice and fold up the side of the splice until it snaps into place, enclosing the red wire.
 - c. Insert the end of the orange wire as far as it will go into the other opening of the Tap Splice.
 - d. Holding the orange wire in place, use pliers to pinch down on the metal conector so that it taps into both wires.



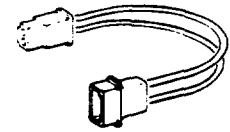
**DECAF CANISTER
613-7170**



**DECAF CANISTER
ASSEMBLY 613-7148**



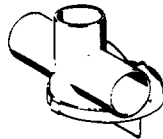
**CHOCOLATE TO DECAF
JUMPER 613-7171**



**SOUP DISPENSER TO
CHOCOLATE DISPENSER
JUMPER 613-7172**



**DECAF BOWL
618-7001**



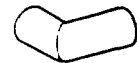
**DECAF BOWL VENT
618-7002**



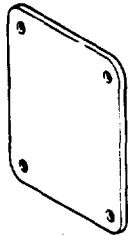
**KNURLED SCREW
112-7057**



**VINYL CAP
610-7231**



**ELBOW
613-7001**



**CLOSURE PLATE
613-7042**



**TAP SPLICE
613-2208**



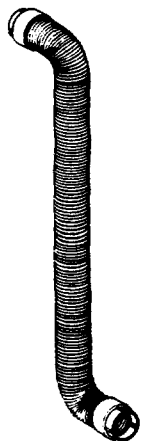
**"Y" TO MIXING
BOWL TUBE (1 1/2")
613-7169**



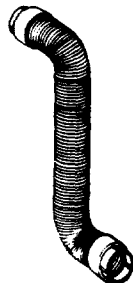
**NO. 8-32 x 1/2"
P.H.S. SCREW
W/LOCKWASHER
613-7183**



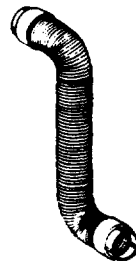
**"Y" CONNECTOR
613-8094**



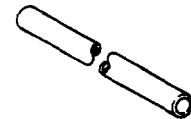
**MIXING BOWL
EXHAUST HOSE
(37") 613-7166**



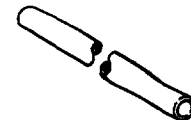
**COFFEE VENT TO
DECAF VENT EXHAUST
HOSE (21 1/2") 613-7032**



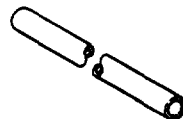
**DECAF VENT TO TEA
VENT EXHAUST HOSE
(19") 613-7164**



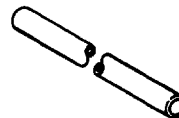
**DECAF BOWL TO
"Y" TUBE (13 1/2")
613-7168**



**TEA BOWL TO
"Y" TUBE (7")
613-7167**



**DECAF BOWL TO
MIXING BOWL TUBE
(15") 618-7030**



**WATER VALVE TO DECAF
BOWL TUBE (40 1/2")
613-8218**

FIGURE 1

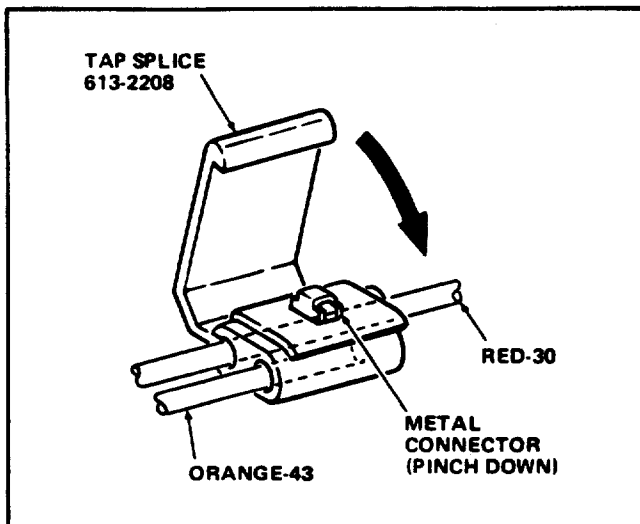


FIGURE 2

e. Fold the top of the splice down until it snaps into place, covering the metal connector.

5. Reconnect the "Red-30" connector to the NO terminal of the No.6 "A" Selection Switch.

NOTE

You may test the splice by checking continuity between the COMMON terminal of the No.6 "A" Selection Switch (connected to "Orange-43" and the COMMON terminal of the No.7 "A" Selection Switch (connected to "Red-30"), while holding the No.6 Selection Button depressed. If the splice is good, the two terminals will be shorted whether or not the No.6 Button is depressed.

6. Reinstall the Selection Assembly Cover removed in Step 2.
7. Remove the SOUP Display Label from the No.5 selection.
8. Remove the CHOCOLATE Display Label from the No.6 selection and install it in the No.5 selection where SOUP was formerly displayed.
9. Install the DECAF Display Label in the No.6 selection.
10. Remove all the Product Canisters from the Dry Ingredients Shelf.

WARNING

If the Merchandiser was recently in service, the Water Tank Assembly and the water it contains may be extremely hot. To avoid possible burns, use care when working around the Water Tank Assembly.

11. Remove two attaching Screws and the Valve Cover from the Water Tank Assembly.
12. Remove the Wire Clamp and Screw which attach the Water Valve-to-Soup Blender Tube to the Dry Ingredients Shelf. Be sure to retain the clamp and screw.
13. Remove the Water Valve-to-Soup Blender Tube from the Merchandiser, disconnecting the tube from the Blender and the middle Water Valve.
14. Disconnect the Water Valve-to-Chocolate Blender Tube from the top Water Valve and then connect the tube to the vacant middle Water Valve.
15. Connect the Water Valve-to-Decaf Bowl Tube included in the kit, part number 613-8218, to the top Water Valve.
16. Routing the Water Valve-to-Decaf Bowl Tube through the opening in the right side of the Dry Ingredients Shelf, use the Screw and Wire Clamp removed in Step 12 to attach the tube to the shelf.
17. Reinstall the Valve Cover and attaching Screws removed in Step 11.
18. Remove the Soup Blender-to-Dispensing Spout Tube from the Merchandiser.
19. Remove the Left Splash Panel from the Merchandiser.
20. Working beneath the Dry Ingredients Shelf, disconnect the Soup and Chocolate Blender Motors and the Soup and Chocolate Dispenser Motors from the receptacles of the Ingredients Shelf Harness.
21. Remove four attaching Screws and the Soup Blender Assembly from the Dry Ingredients Shelf. See Figure 3.

22. Disconnect the two tubes from the Chocolate Blender Assembly.
23. Remove four attaching screws and the Chocolate Blender Assembly from the Merchandiser. See Figure 3.
24. Install the Soup Blender Assembly removed in Step 21 in the position that was occupied by the Chocolate Blender Assembly. See Figure 3. The Soup Blender will now serve as Chocolate Blender.
25. Connect the Water Valve-to-Chocolate Blender Tube and the Chocolate Blender-to-Dispensing Spout Tube to the repositioned Soup Blender Assembly.
26. Loosen the three attaching Screws and lift upward to remove the Soup Dispenser Motor from the Dry Ingredients Shelf. This motor will not be reinstalled.
27. Again working beneath the shelf, connect the Chocolate Blender Motor to the Soup Blender receptacle (wires White-10 and Black-7) of the Ingredients Shelf Harness.
28. Connect the Soup Dispenser-to-Chocolate Dispenser Jumper included in the kit, part number 613-7172, to the Soup Dispenser receptacle (wires White-10 and Black-5) and the Chocolate Dispenser Motor.
29. Connect the Chocolate-to-Decaf Jumper included in the kit, part number 613-7171, to the Chocolate Dispenser receptacle (wires White-10 and Black-4).
30. Position the Chocolate-to-Decaf Jumper so that the unconnected 4-circuit receptacle is extending as far as it can through the opening in the Dry Ingredients Shelf where the Soup Dispenser Motor was formerly mounted. See Figure 4.
31. Reinstall the Left Splash Panel removed in Step 19.
32. Use the four Screws, part number 613-7183, and the Closure Plate, part number 613-7042, to cover the hole in the Dry Ingredients Shelf where the Soup Blender Assembly was mounted. Both parts are included in kit. See Figure 4.
33. Remove two attaching Screws and the Soup Canister Mounting Bracket from the Dry Ingredients Shelf. Be sure to retain the two Screws. See Figure 4.
34. Using the two Screws removed in Step 33, attach the Decaf Dispenser Assembly included in the kit, part number 613-7148, to the Dry Ingredients Shelf. The Dispenser is mounted by the same two holes which mounted the Soup Canister Bracket. See Figure 4.
35. Connect the receptacle of the Chocolate-to-Decaf Jumper, installed in Step 29, to the plug of the Decaf Dispenser Assembly. See Figure 4.
36. Using the two knurled Screws, part number 112-7057, attach the Decaf Bowl, part number 618-7001, to the Decaf Dispenser Assembly. Both parts are included in the kit. See Figure 4.
37. Attach the Water Valve-to-Decaf Bowl Tube to the Elbow included in the kit, part number 613-7001, and then attach the Elbow to the Decaf Bowl inlet. See Figure 4.
38. Attach the Vinyl Caps, part number 610-7231, to the top and left ports of the Decaf Bowl Vent, part number 618-7002, and then fit the Vent on the Decaf Bowl. Both parts are included in kit. See Figure 4.

NOTE

One of the disconnected receptacles (wires White-10 and Black-8) remains unused.

NOTE

Steps 39 through 46 apply to the HBM-614 Merchandiser only. Steps 47 and 48 apply to the HBM-618 Merchandiser only. Steps 49 through 51 apply to both Merchandisers.

39. Use the Decaf Bowl-to-"Y" Tube, part number 613-7168, to connect the Decaf Bowl outlet to the "Y" Connector, part number 613-8094. Both parts included in kit. See Figure 5.

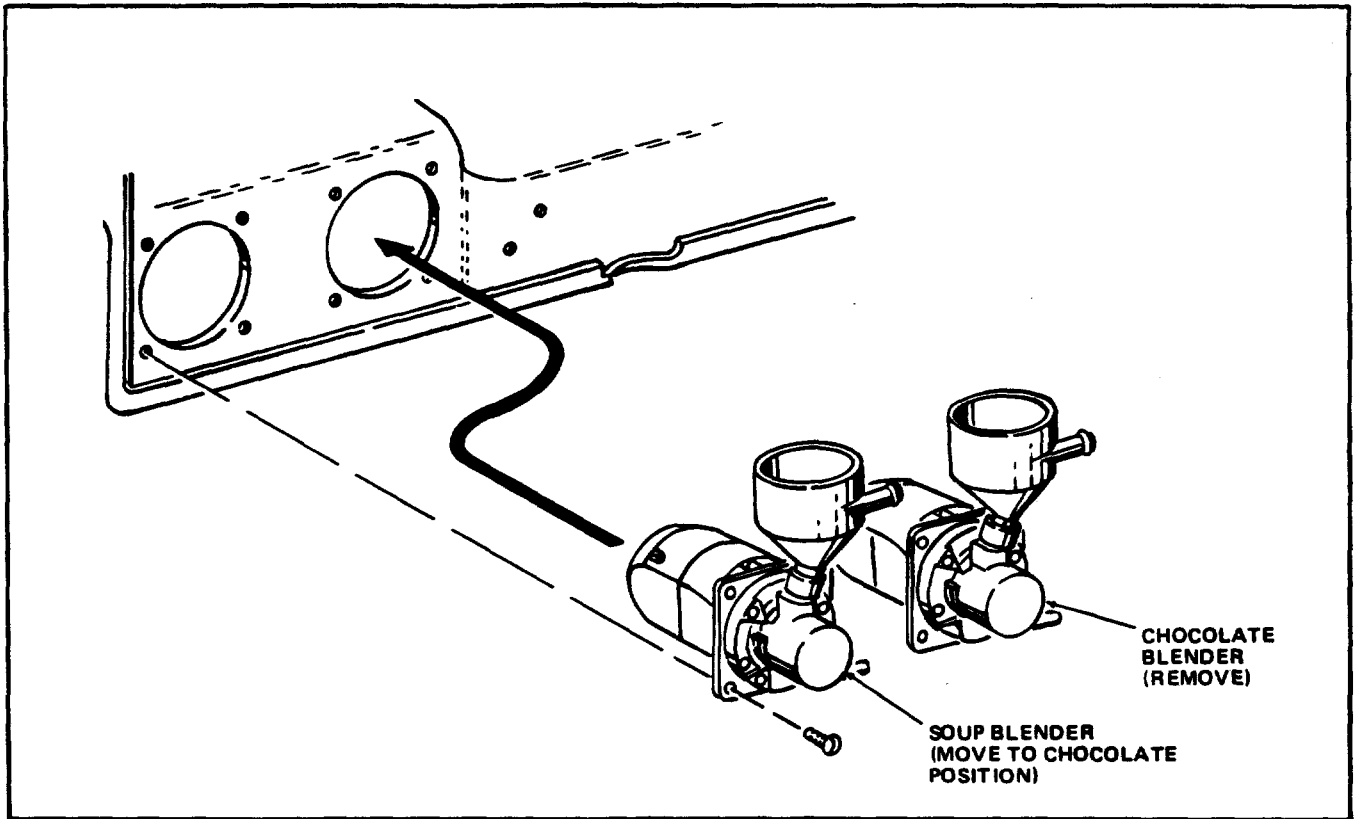


FIGURE 3

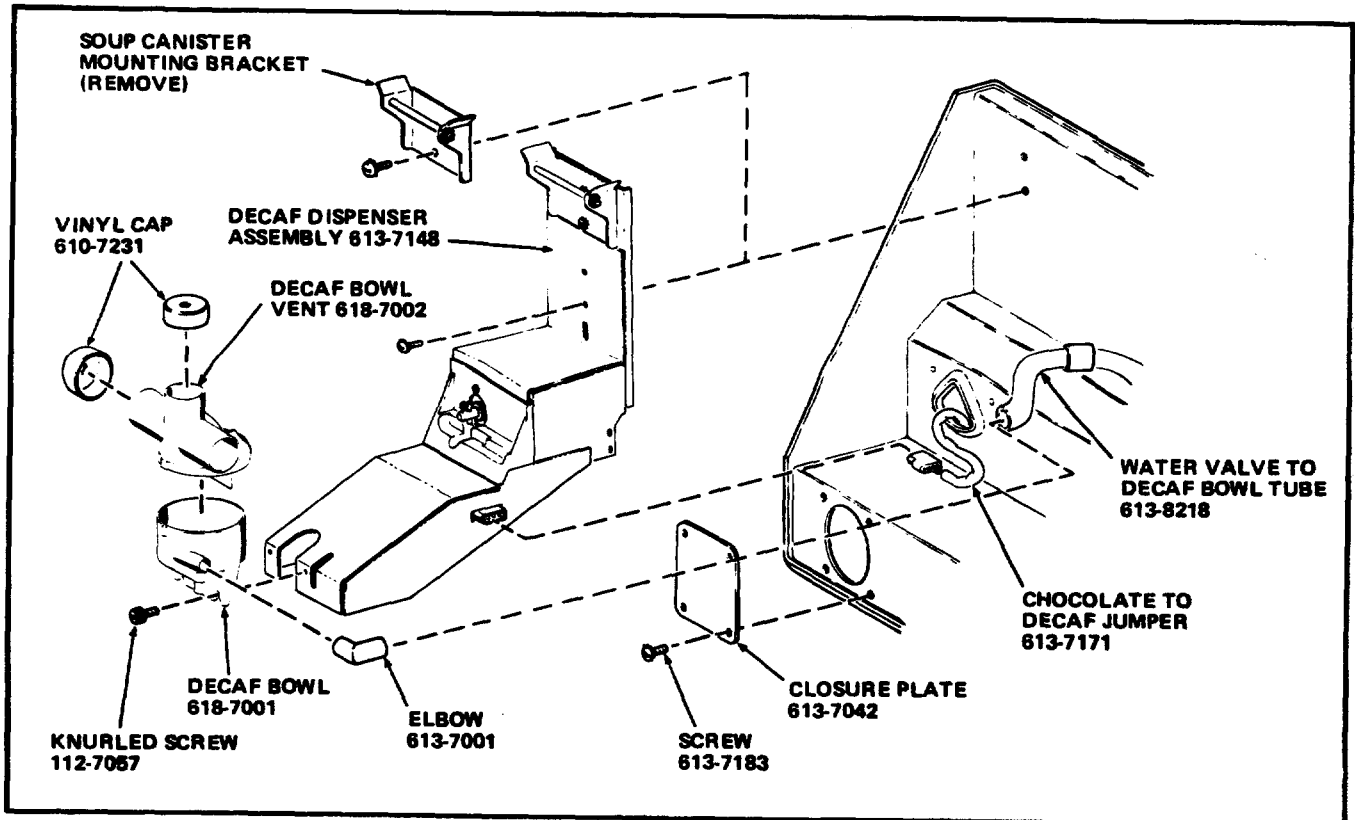


FIGURE 4

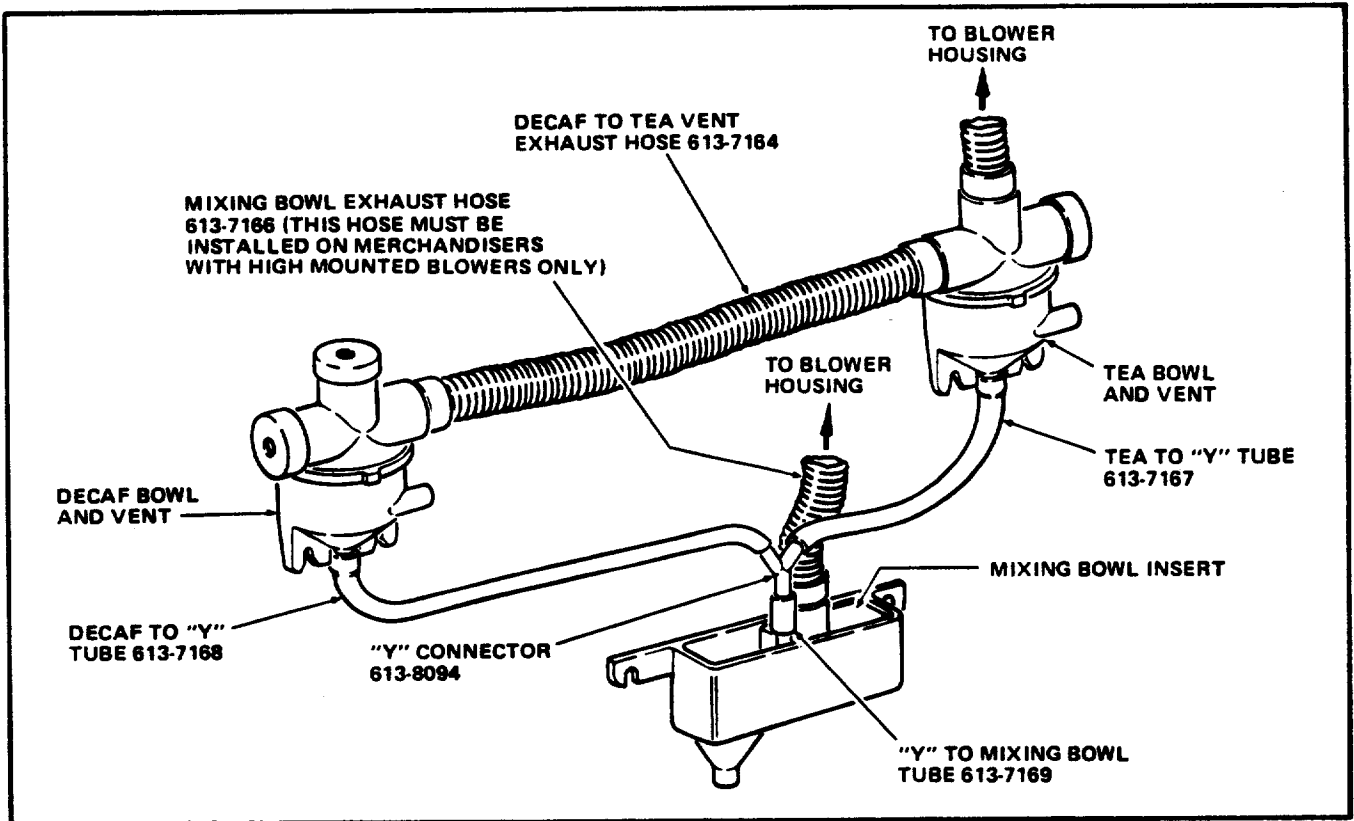


FIGURE 5

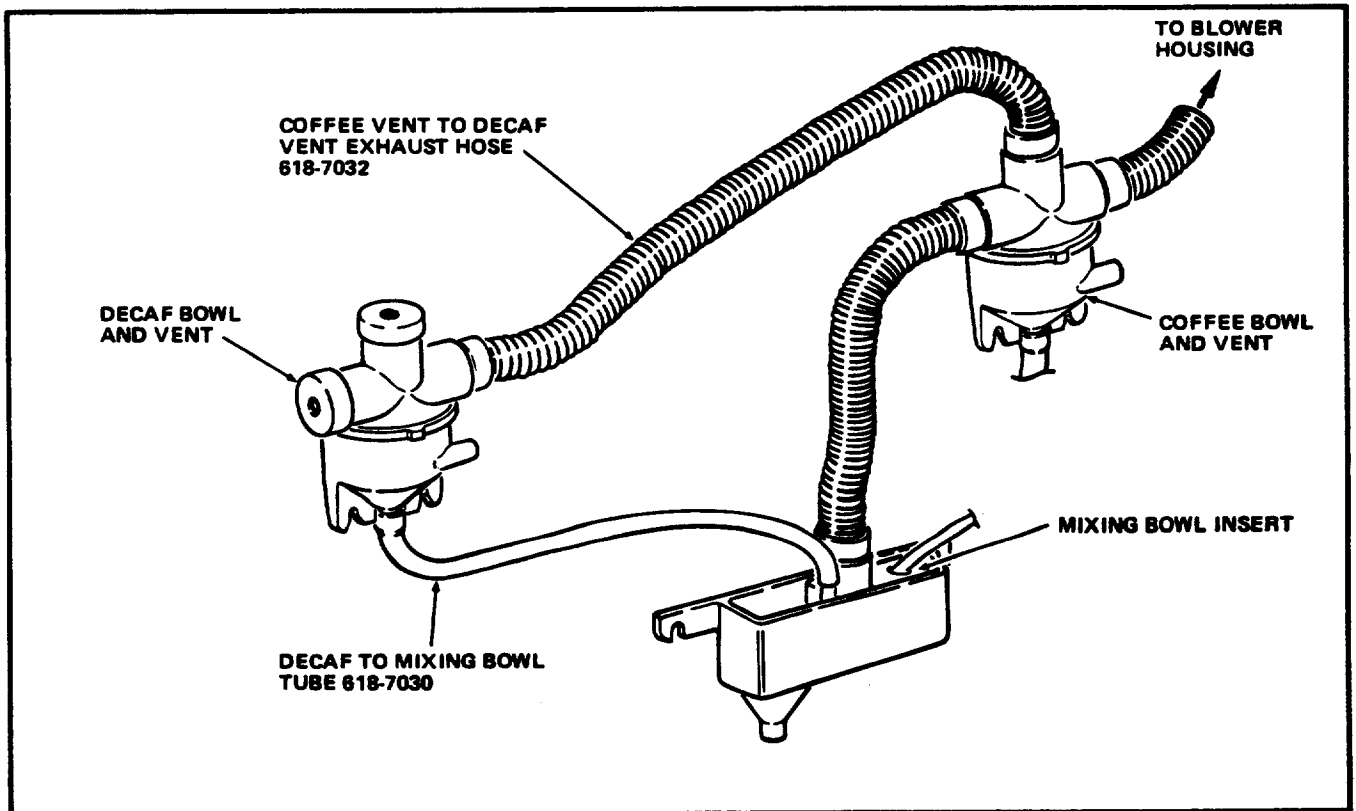


FIGURE 6

40. Remove the tube now connecting the Tea Bowl outlet to the inlet of the Mixing Bowl Insert. This tube will no longer be used.
41. Use the Tea Bowl-to-"Y" Tube included in the kit, part number 613-7167, to connect the Tea Bowl outlet to the "Y" Connector. See Figure 5.
42. Use the "Y"-to-Mixing Bowl Tube included in kit, part number 613-7169, to connect the "Y" Connector to the inlet of the Mixing Bowl Insert. See Figure 5.

NOTE

On early production HBM-614 Merchandisers, the Exhaust Blower is mounted high on the rear cabinet wall, above the Dry Ingredients Shelf. On later production Merchandisers, the Exhaust Blower is located beneath the Dry Ingredients Shelf, directly behind the Left Splash Panel. If your Merchandiser is of the early production type (blower mounted high), complete Steps 43 through 45 to install two Exhaust Hoses; disregard Step 46. If your Merchandiser is a later production unit (blower mounted low), perform only Step 46 to install one Exhaust Hose.

43. Remove the Exhaust Hose now connecting the left port of the Tea Bowl Vent to the exhaust port of the Mixing Bowl Insert. This hose will no longer be used.
44. Remove the Vinyl Cap from the Exhaust Blower Housing and then use the Mixing Bowl Exhaust Hose included in the kit, part number 613-7166, to connect the Exhaust Blower Housing directly to the exhaust port of the Mixing Bowl Insert. See Figure 5.

45. Use the Decaf Vent-to-Tea Vent Exhaust Hose included in the kit, part number 613-7164, to connect the two vents as shown in Figure 5.
46. Remove the Vinyl Cap from the left port of the Tea Vent and use the Decaf Vent-to-Tea Vent Exhaust Hose included in kit, part number 613-7164, to connect the two vents as shown in Figure 5.

NOTE

Steps 47 and 48 apply to the HBM-618 only.

47. Use the Decaf Bowl-to-Mixing Bowl Tube included in the kit, part number 618-7030, to connect the Decaf Bowl outlet to the inlet of the Mixing Bowl Insert. See Figure 6.
48. Remove the Vinyl Cap from the Coffee Bowl Vent and use the Coffee Vent-to-Decaf Vent Exhaust Hose included in the kit, part number 618-7032, to connect the two vents. Arrange the Exhaust Hoses on the Coffee Vent as shown in Figure 6.
49. Install all the Product Canisters removed in Step 10 except the Soup Canister.
50. Install and fill the Decaf Canister included in kit, part number 613-7170.
51. Test vend the Merchandiser and adjust product throws.

NOTE

When adjusting product throws, keep in mind that the No.3 Cam of the Timer Assembly (labeled CHOC) now controls the Decaf throw and the No.12 Cam (labeled SOUP) actually controls the Chocolate throw. It is advisable to mark the Timer Assembly Label as a reminder.